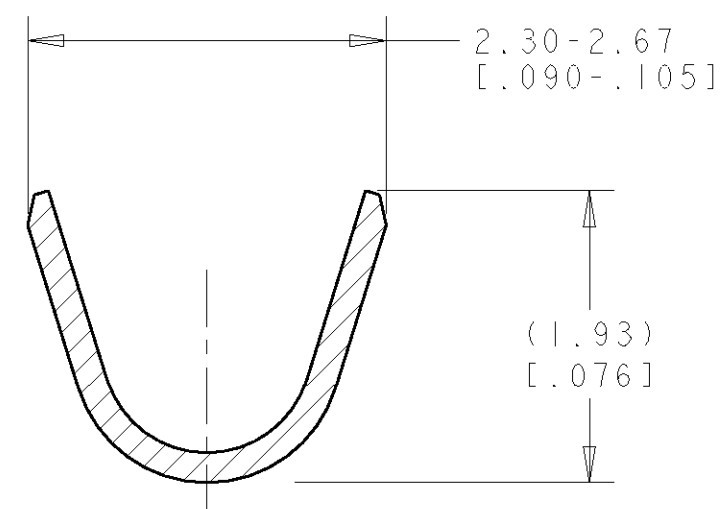
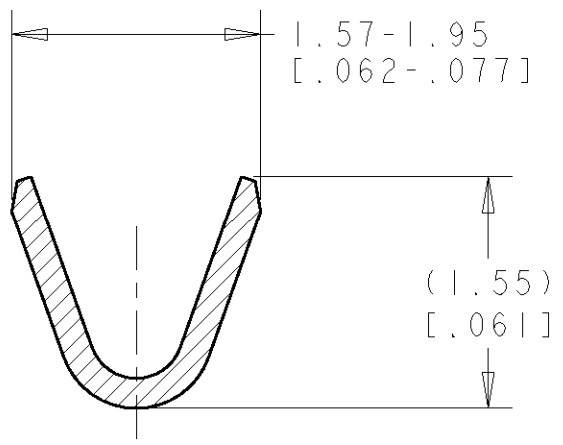
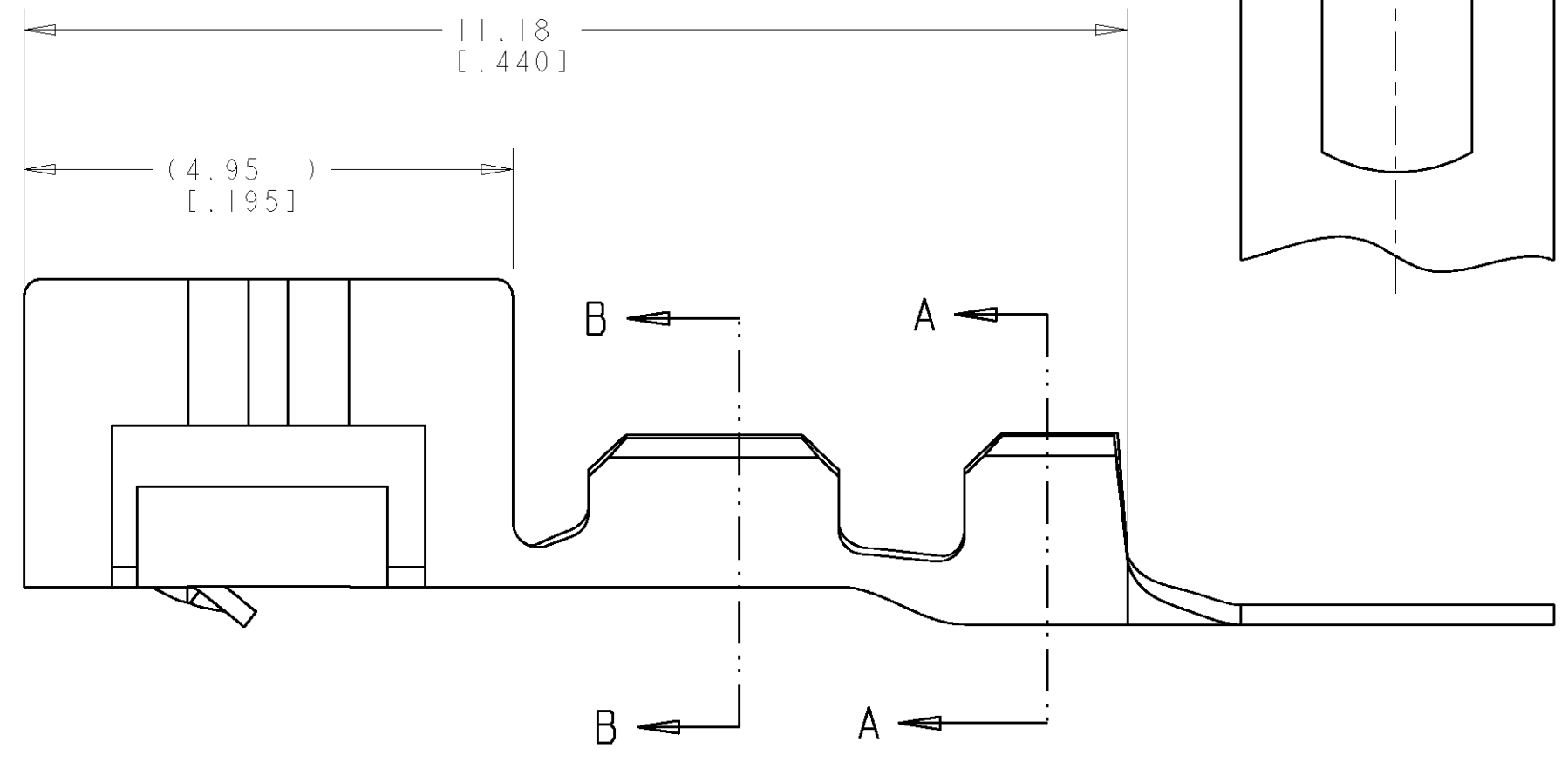
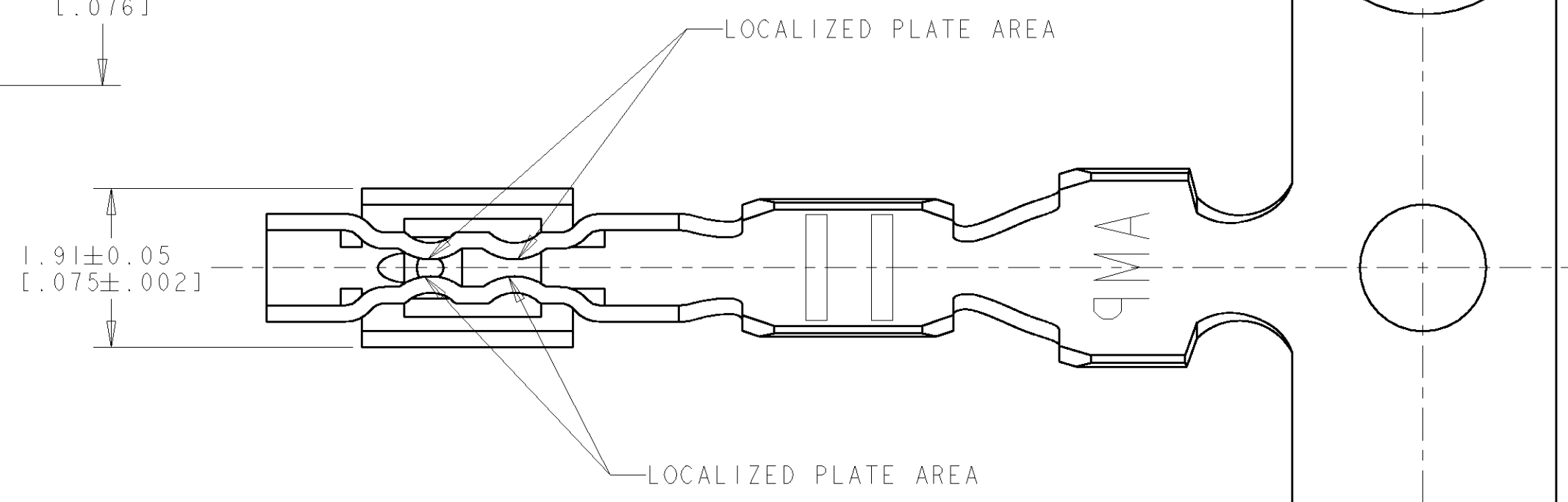


THIS DRAWING IS UNPUBLISHED. RELEASED FOR PUBLICATION 20  
 © COPYRIGHT 20 BY TYCO ELECTRONICS CORPORATION. ALL RIGHTS RESERVED.

LOC	DIST	REVISIONS					
CM	00	P	LTR	DESCRIPTION	DATE	DWN	APVD
			0	REVISED PER 063B-0267-01	21-JUNE-01	KW	JE



SECTION A-A  
SCALE 20:1



SECTION B-B  
SCALE 20:1

1. WIRE RANGE .13 - .35 mm<sup>2</sup> (26 -22 AWG).
2. INSULATION RANGE 0.89 - 1.65 [.035 - .065].
3. 0.00038 [.000015] MIN GOLD STRIPE IN LOCALIZED AREA OVER 0.00127 [.000050] MIN NICKEL OVER ENTIRE CONTACT.
4. 0.00076 [.000030] MIN GOLD STRIPE IN LOCALIZED AREA OVER 0.000127 [.000050] MIN NICKEL OVER ENTIRE CONTACT.
5. NOT FOR USE IN HOUSING PART NUMBER 770602.

4	PH BRZ	1375819-3
3	PH BRZ	1375819-2
PRE-TIN	PH BRZ	1375819-1
FINISH	MATERIAL	PART NUMBER

METRIC

THIS DRAWING IS A CONTROLLED DOCUMENT FOR TYCO ELECTRONICS CORPORATION. IT IS SUBJECT TO CHANGE AND THE CONTROLLING ENGINEERING ORGANIZATION SHOULD BE CONTACTED FOR THE LATEST REVISION.

DWN	21-JUNE-2001	Tyco Electronics Harrisburg, PA 17105-3608
CHK	K. WHITAKER	
APVD	J. ELLIS	
APVD	J. ELLIS	
DIMENSIONS: mm [INCHES]		PRODUCT SPEC
TOLERANCES UNLESS OTHERWISE SPECIFIED:		108-1948
0 PLC	±	APPLICATION SPEC
1 PLC	±	114-13036
2 PLC	±0.13 [.005]	WEIGHT
3 PLC	±	-
4 PLC	±	CUSTOMER DRAWING
ANGLES	±	SCALE 15:1
FINISH	SEE TABLE	SHEET 1 OF 1

NAME	CONTACT, CST 100 11		
SIZE	CAGE CODE	DRAWING NO	RESTRICTED TO
A2	00779	1375819	-
REV 0			